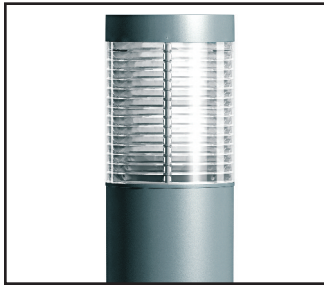


# MTR Bollard LED

# selux



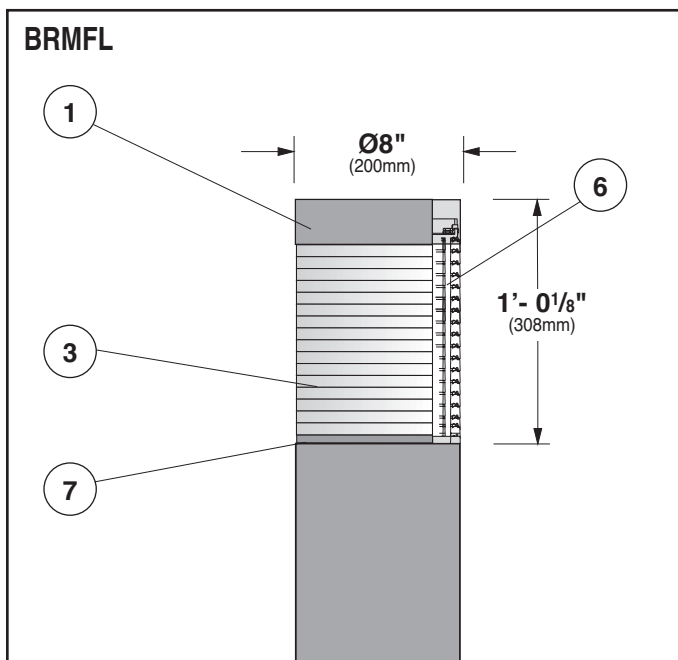
**Project:** \_\_\_\_\_

**Type:** \_\_\_\_\_ **Qty:** \_\_\_\_\_

\_\_\_\_\_ - \_\_\_\_\_ - \_\_\_\_\_ - \_\_\_\_\_ - \_\_\_\_\_ - \_\_\_\_\_ - \_\_\_\_\_  
 Series      Height      Light Engine      CCT      Finish      Voltage      Options

Series	Height	Light Engine	CCT	Finish	Voltage	Options
<b>BRMFL</b> MTR LED Bollard Round Flat Top	2.5 2 1/2 feet	<b>1B30</b>	27 2700 K	<b>WH</b> White	<b>UNV</b> <sup>4</sup>	<b>DM</b> Dimming (0-10V)
	3 3 feet	<b>2B30</b>	30 3000 K	<b>BK</b> Black	<b>120</b>	<b>HL50</b> <sup>2</sup> Hi-Lo Switching
	3.5 3 1/2 feet	<b>3B30</b>	35 3500 K	<b>BZ</b> Bronze	<b>208</b>	<b>REC</b> <sup>3</sup> GFCI Receptacle w/ weather-proof cover
	4 4 feet	<b>4B30</b>	40 4000 K	<b>SV</b> Silver	<b>240</b>	<b>REC</b> <sup>2</sup> GFCI Receptacle w/ padlockable in-use cover
			Consult factory for other CCTs	<b>SP</b> Specify Premium Color	<b>277</b>	
					<b>347</b> <sup>1,5</sup>	
					<b>480</b> <sup>1,5</sup>	

<sup>1</sup> Requires step down transformer <sup>2</sup> 120V, 240V, and 277V only <sup>3</sup> Only available in 3.5 and 4 ft. heights, 120V only <sup>4</sup> 120V-277V <sup>5</sup> Not available with HL50



**1. Luminaire Cover** - Die-cast, aluminum cover, with smooth crisp form to reflect and complement the column design. Thick-walled, aluminum cover is painted white on the interior for maximum luminaire efficiency. Removes by loosening three vandal-resistant, stainless steel screws for easy access to lamp chamber.

**2. Gasketing** - (not shown) Continuous gaskets provide weather-proofing, dust, and insect control at shielding base, fixture cover and between MTR rings.

**3. Shielding** - Consists of 8" (200mm) diameter injection-molded acrylic multi-prisms for total reflection (MTR). MTR rings have a wall thickness of .591" and are pat-

terned after the light-bending characteristics of a prism.

**4. LED Light Engine** - (not shown) High efficiency LED light engine equipped with brand-name LEDs, available in 2700K, 3000K, 3500K, or 4000K CCT tolerance within a 3-step MacAdams ellipse.

**5. Drivers** - (not shown) Electronic universal 120-277V, PFC > 0.95

**6. Diffuser** - LED optimized UV resistant material ensures evenly lit MTR rings at high transmittance.

**7. Column Fitter** - Die-cast aluminum fitter, with built-in gasketing ridges, for smooth transition to column.

**8. Surge Protector** - (not shown) Designed to protect luminaire from electrical surge (10kA).

**9. Hi-Lo Switching** - (not shown) For details, please see page 4.

**Exterior Luminaire Finish** -

Selux utilizes a high quality Polyester Powder Coating. All Selux luminaires and poles are finished in our Tiger Drylac certified facility and undergo a five stage intensive pretreatment process where product is thoroughly cleaned, phosphated and sealed. Selux powder coated products provide excellent salt and humidity

resistance as well as ultraviolet resistance for color retention. All products are tested in accordance with test specifications for coatings from ASTM and PCI.

Standard exterior colors are White (WH), Black (BK), Bronze (BZ), and Silver (SV). Selux premium colors (SP) are available, please specify from your Selux color selection guide.

**5 Year Limited LED Luminaire Warranty** - Selux offers a 5 Year Limited Warranty to the original purchaser that the MTR Bollard LED luminaire shall be free from defects in material and workmanship for up to five (5) years from date of shipment. This limited warranty covers the LED driver and LED array when installed and operated according to Selux instructions. For MTR LED Bollard Luminaire suitable for ambient temperature of 45°C (113°F). For details, see "Selux Terms and Condition of Sale."

**Listings and Ratings:** Tested to INRTL Wet Location and IESNA LM-79-08 standards. LED tested to LM-80 standards. Luminaire and LED tested at 25°C (77°F) ambient temperature.

# MTR Bollard LED

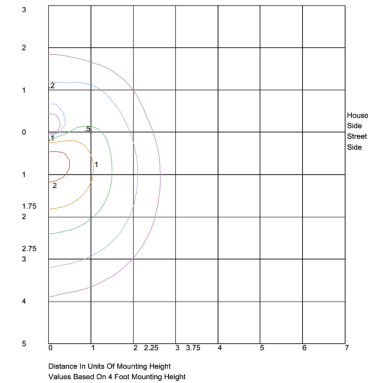
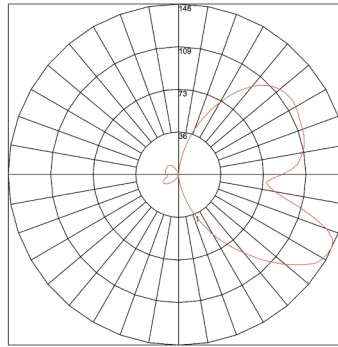


## Photometry

BRMFL / 4 FT / 1B30 / 3000K CCT

Catalog # BRMFL-4-1B30-30-XX  
Report # LM-63-2002

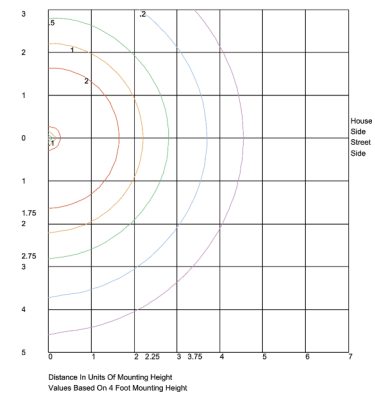
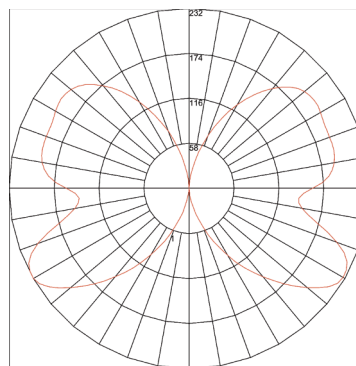
- Ideal for applications requiring linear distributions.
- Maximum candela of 145 at 65° from vertical.
- IES classification - B0-U3-G1
- Mounting Height = 4' (1.22 M)
- 498 Delivered Lumens
- 71 Lumens per Watt



BRMFL / 4 FT / 4B30 / 3000K CCT

Catalog # BRMFL-4-4B30-30-XX  
Report # LM-63-2002

- Ideal for applications requiring linear distributions.
- Maximum candela of 246 at 57.5° from vertical.
- IES classification - B1-U4-G1
- Mounting Height = 4' (1.22 M)
- 2082 Delivered Lumens
- 78 Lumens per Watt



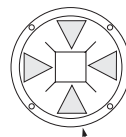
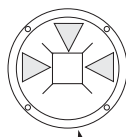
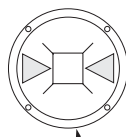
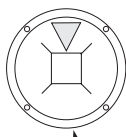
## LED Lamping Distribution Guide

1B30

2B30

3B30

4B30



Handhole Side

MTR Round LED Bollard Photometry Multiplier Table		
<b>CCT Multiplier</b>		
4000K		1.000
3500K		1.010
3000K		0.942
2700K		0.884
<b>Light Engine Multiplier</b>		
Light Engine	Lumens	Wattages
1B30	0.239	0.262
2B30	0.452	0.478
3B30	0.880	0.915
4B30	1.000	1.000

# MTR Bollard LED



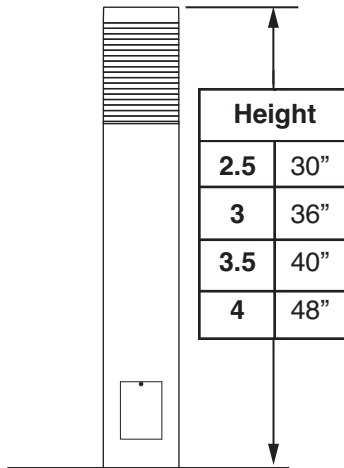
## Photometry

MTR Round Bollard LED Lumen Matrix							
Model#	Watts	Delivered Lumens	CORL Toolbox Scale Factor	Lumens/Watt	Light Engine Multiplier	CCT Multiplier	
Single Light Engine (1B30)							
BRMFL-X-1B30-27-XX-UNV	6.96	468	0.884	67.2	0.239	2700K (Multiplier = 0.884)	
Double Light Engine (2B30)							
BRMFL-X-2B30-27-XX-UNV	12.73	884	0.884	69.5	0.452		
Triple Light Engine (3B30)							
BRMFL-X-3B30-27-XX-UNV	24.36	1721	0.884	70.6	0.880		
Quad Light Engine (4B30)							
BRMFL-X-4B30-27-XX-UNV	26.60	1955	0.884	73.5	0.884		
Single Light Engine (1B30)							
BRMFL-X-1B30-30-XX-UNV	6.96	498	0.942	71.6	0.239	3000K (Multiplier = 0.942)	
Double Light Engine (2B30)							
BRMFL-X-2B30-30-XX-UNV	12.73	942	0.942	74.0	0.452		
Triple Light Engine (3B30)							
BRMFL-X-3B30-30-XX-UNV	24.36	1833	0.942	75.2	0.880		
Quad Light Engine (4B30)							
BRMFL-X-4B30-30-XX-UNV	26.60	2082	0.942	78.3	0.942		
Single Light Engine (1B30)							
BRMFL-X-1B30-35-XX-UNV	6.96	534	1.010	76.8	0.239	3500K (Multiplier = 1.010)	
Double Light Engine (2B30)							
BRMFL-X-2B30-35-XX-UNV	12.74	1010	1.010	79.3	0.452		
Triple Light Engine (3B30)							
BRMFL-X-3B30-35-XX-UNV	24.37	1966	1.010	80.7	0.880		
Quad Light Engine (4B30)							
BRMFL-X-4B30-35-XX-UNV	26.61	2234	1.010	83.9	1.010		
Single Light Engine (1B30)							
BRMFL-X-1B30-40-XX-UNV	6.96	529	0.239	76.0	0.239	4000K (Multiplier = 1.000)	
Double Light Engine (2B30)							
BRMFL-X-2B30-40-XX-UNV	12.74	1000	0.452	78.5	0.452		
Triple Light Engine (3B30)							
BRMFL-X-3B30-40-XX-UNV	24.37	1946	0.880	79.9	0.880		
Quad Light Engine (4B30)							
BRMFL-X-4B30-40-XX-UNV	26.61	2211	1.000	83.1	1.000		

# MTR Bollard LED



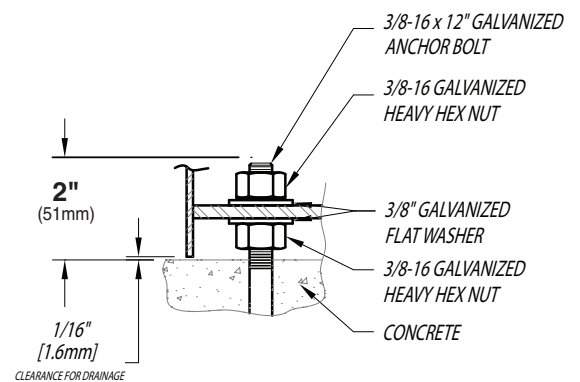
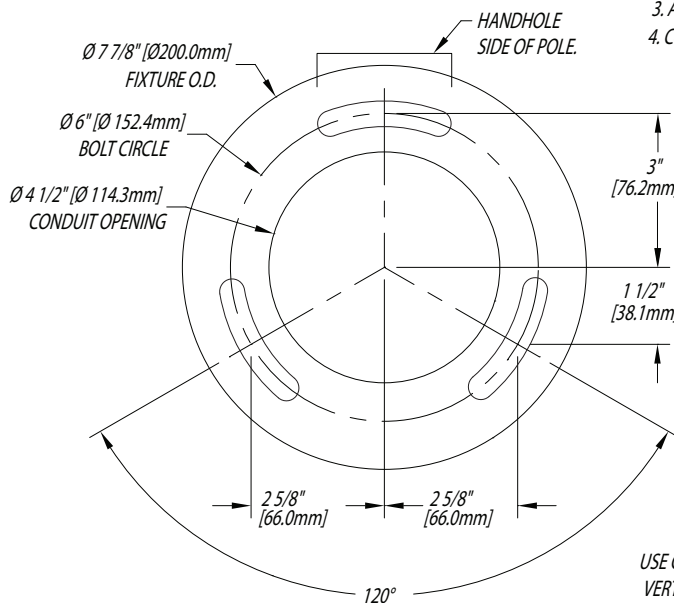
## Profile



## Anchorage Information

### NOTES:

1. BOLLARD ORIENTATION IS CRITICAL, ROD & HAND HOLE LOCATIONS ARE CRITICAL.
2. LOCATE SINGLE BOLT AT HAND HOLE LOCATION.
3. ADEQUATE DRAINAGE MUST BE PROVIDED IN CONCRETE FOUNDATION.
4. CONDUIT SHOULD BE STUBBED UP ABOVE THE CONCRETE FOOTING



### BOLT CIRCLE DETAIL (Not to Scale)

USE CAUTION WHEN SETTING ANCHOR BOLTS. BOLTS MUST BE VERTICALLY STRAIGHT AND CENTERED ON DIMENSIONS SHOWN.

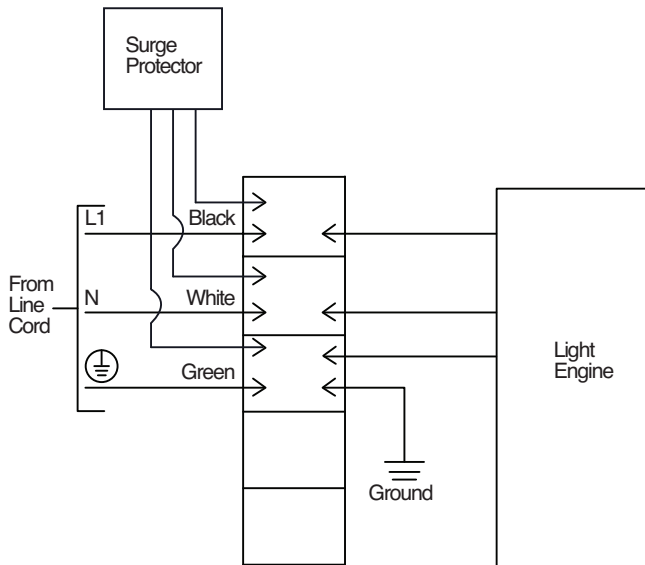
# MTR Bollard LED



## Wiring Diagrams

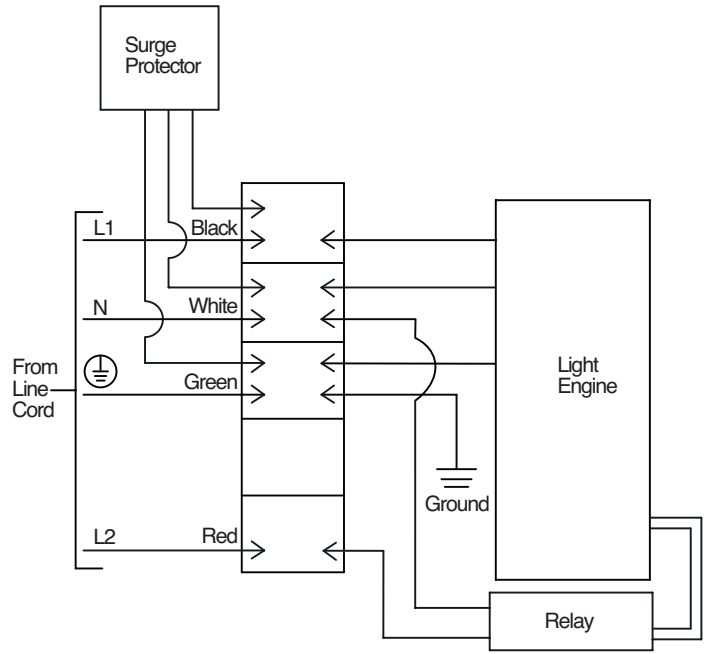
### Standard Single Wiring

For 120-277V



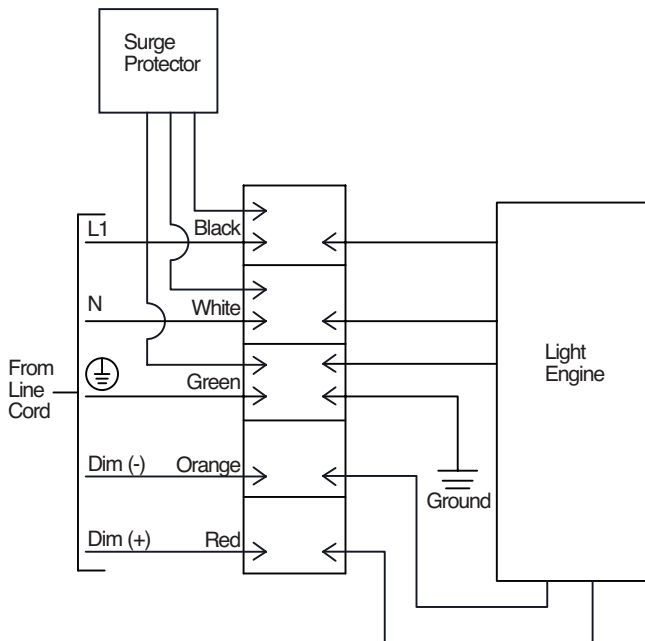
### Hi-Lo Switching Option (HL) Wiring

For 120-277V. When red is energized, light output will be at "Lo" level. Standard HL level: HL50 = low output, 50%. For other combinations, consult factory.



### 0-10V Dimming Option (DM) Wiring

For 120-277V

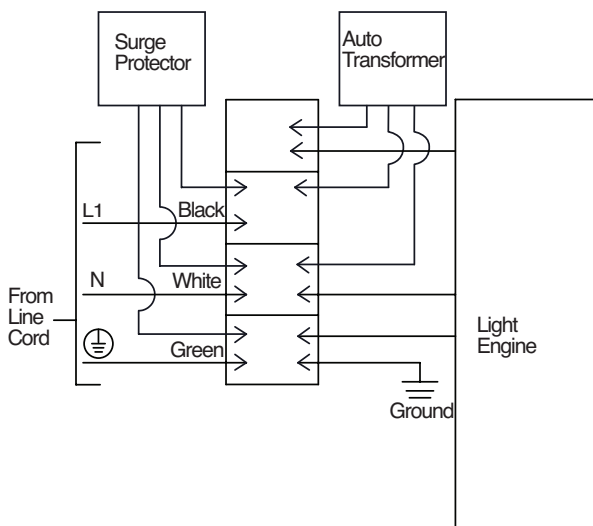


# MTR Bollard LED

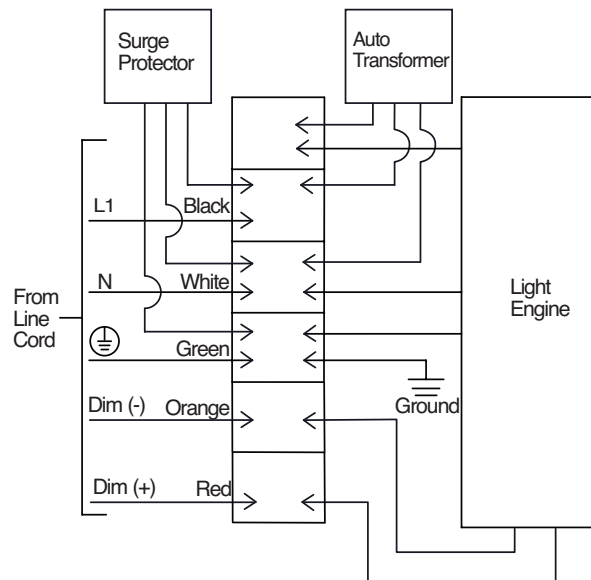


## Wiring Diagrams

### 347/480V (Standard)

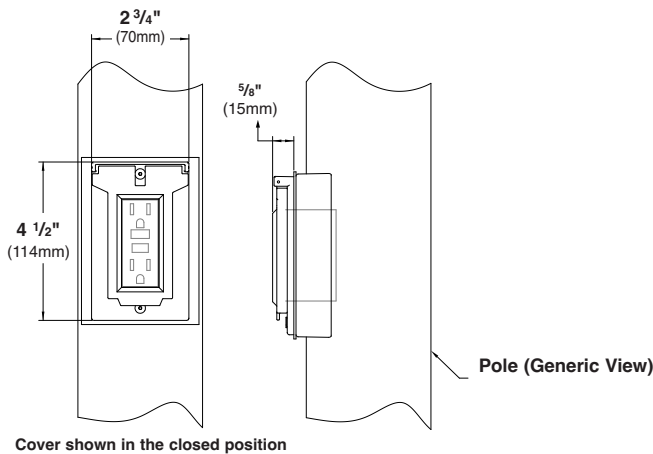


### 347/480V with 0-10V Dimming Option



## Optional Accessories

**GFCI Receptacle (REC)** - 120V 15A GFCI duplex receptacle with weather-proof, self-closing cover; located 18" (457mm) from base of pole, inline with handhole. Receptacle is intended only for portable tools or other portable equipment to be connected to outlet only when attended by operating personnel. For use with 120V applications only. For other fixture voltages, please consult factory for wire segregation requirements.



**GFCI Receptacle (REC2)** - 120V 15A GFCI duplex receptacle with weather-proof, self-closing, padlockable in-use cover; located 18" (457mm) from base of pole, inline with handhole. Receptacle is intended only for portable tools or other portable equipment to be connected to outlet only when attended by operating personnel. For use with 120V applications only. For other fixture voltages, please consult factory for wire segregation requirements.

