

Corral[®] Bollard

selux

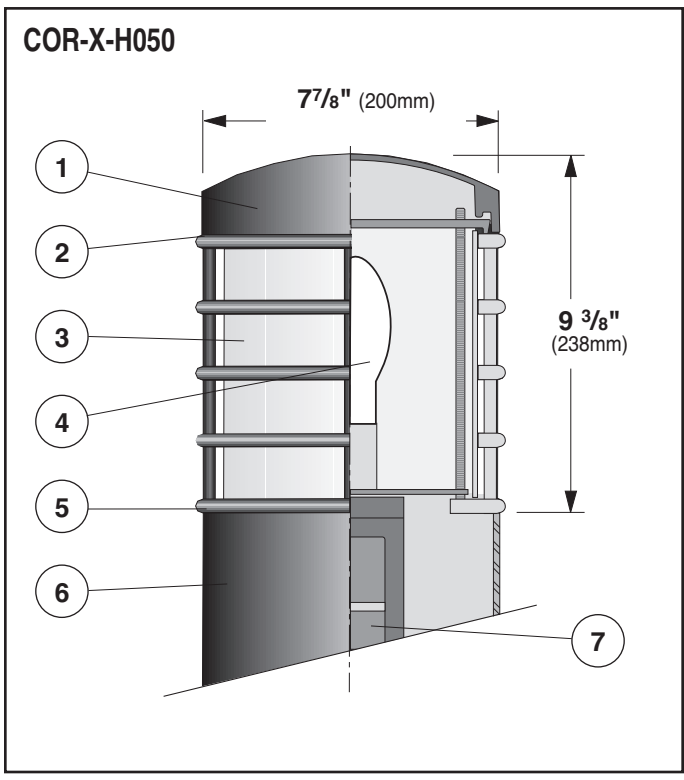


Project: _____

Type: _____ Qty: _____

COR - - - - -
 Series Height Lamping Finish Voltage Options

Series	Height	Lamping			Finish	Voltage	Options
COR Corral [®] Bollard	2 2 feet	Metal Halide H050 ¹ 50w H070 70w	HPS S050 ¹ 50w S070 70w	Fluorescent F32 ² 32w F42 ² 42w	WH White BK Black BZ Bronze SV Silver SP Specify Premium Color	120 208 240 277 347	HS House Side Shield (180°) REC ³ GFCI Receptacle w/ weather-proof cover REC ² GFCI Receptacle w/ padlockable in-use cover
	3 3 feet						
	3.5 3 1/2 feet						
	4 4 feet (or specify custom height)						
					¹ 120v and 277v only.	² Not available in 208v or 240v.	



- 1. Fixture Cover** - Die-cast, aluminum cover, with smooth crisp form to reflect and complement the column design. Thick-walled, aluminum cover is painted white on the interior for maximum luminaire efficiency. Removes by loosening three, vandal-resistant, stainless steel screws for easy access to lamp chamber.
- 2. Gasketing** - Continuous gaskets provide weather-proofing, dust, and insect control at all fixture connections.
- 3. Shielding** - White, translucent, UV stabilized acrylic, minimum wall thickness 0.118" (3mm) inside of die cast aluminum "Corral[®]" rings.
- 4. Lamp** - One coated, base down, medium base ED-17 metal halide up to 70w; high pressure sodium up to 70w; or triple tube, four pin GX24q-3 for 32w and GX24q-4 for 42 compact fluorescent. Lamp provided by others.
- 5. Column Fitter** - Die-cast aluminum fitter holds ballast assembly and lamp socket.
- 6. Column** - Extruded thick-walled aluminum, minimum wall thickness 0.118" (3mm) with a smooth round design.

- 7. Ballast** - Open core and coil ballast pre-wired to pulse rated, porcelain, medium base socket for HID lamps. Cold weather electronic ballast for fluorescent lamps. Consult factory for more detailed ballast information.
- Exterior Luminaire Finish** - Selux utilizes a high quality Polyester Powder Coating. All Selux luminaires and poles are finished in our Tiger Drylac certified facility and undergo a five stage intensive pretreatment process where product is thoroughly cleaned, phosphated and sealed. Selux powder coated products provide excellent salt and humidity resistance as well as ultra violet resistance for color retention. All products are tested in accordance with test specifications for coatings from ASTM and PCI.
- Standard exterior colors are White (WH), Black (BK), Bronze (BZ), and Silver (SV). Selux premium colors (SP) are available, please specify from your Selux color selection guide. Hot Dip Galvanized finish (GV) on all steel parts also available.

Selux Corp. © 2018
 TEL (845) 834-1400
 FAX (845) 834-1401
 www.selux.us
 COR-0718-01 (ss-v3.4)

NRTL Listed (i.e. UL, CSA)
 Union Made Affiliated
 with IBEW Local 363

IP54

IK10

In a continuing effort to offer the best product possible, we reserve the right to change, without notice, specifications or materials that in our opinion will not alter the function of the product. Specification sheets found at www.selux.us are the most recent versions and supercede all other printed or electronic versions.

Photometry

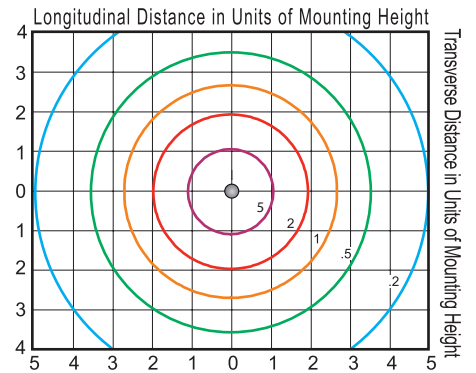
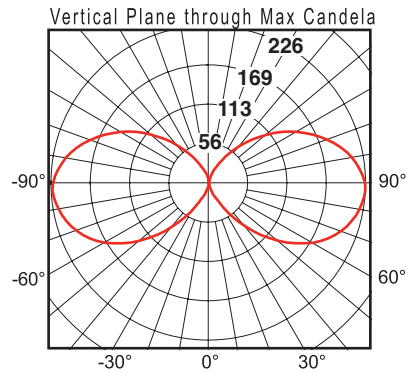
Type V Reflector / 50w

Catalog # COR-H050
Report # LSI15413-2

- Ideal for applications demanding a uniform symmetric light distribution.
- Maximum candela of 226 at 87.5° from vertical.
- IES classification - Type V Non Cutoff

DOWNLOAD IES FILE:

http://www.selux.us/fileadmin/us/exterior/ies_file/COR_IES.zip



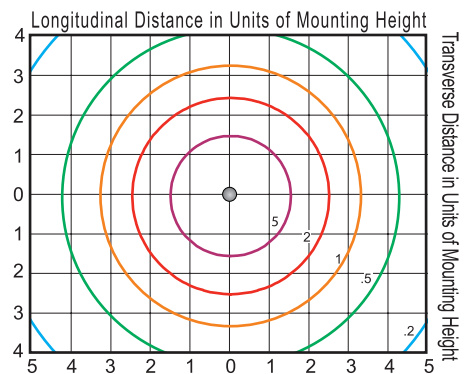
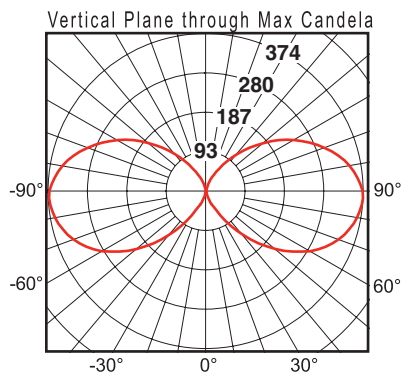
Type V Reflector / 70w

Catalog # COR-H070
Report # LSI 15413

- Ideal for applications demanding a uniform symmetric light distribution.
- Maximum candela of 374 at 87.5° from vertical.
- IES classification - Type V Non Cutoff

DOWNLOAD IES FILE:

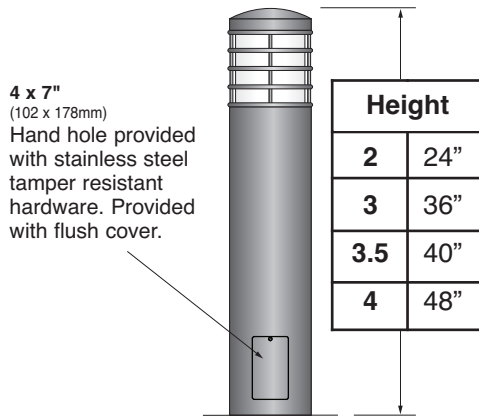
http://www.selux.us/fileadmin/us/exterior/ies_file/COR_IES.zip



Lamp Prorate Table								
High Pressure Sodium			Metal Halide			Fluorescent		
Wattage	Factor	Initial Lumens	Wattage	Factor	Initial Lumens	Wattage	Factor	Initial Lumens
50	0.74	3700	50	0.68	3400	32	0.48	2400
70	1.16	5800	70	1.00	5000	42	0.64	3200

Conversion Chart	
Values based on 3' (.9m) mounting height	
Mounting Height	Multiply
2.0' (.6m)	1.50
3.0' (.9m)	1.00
3.5' (1.0m)	0.90
4.0' (1.2m)	0.75

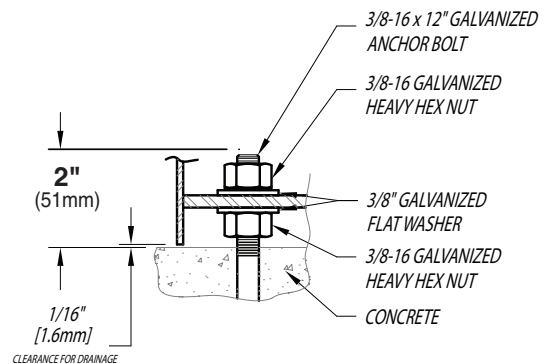
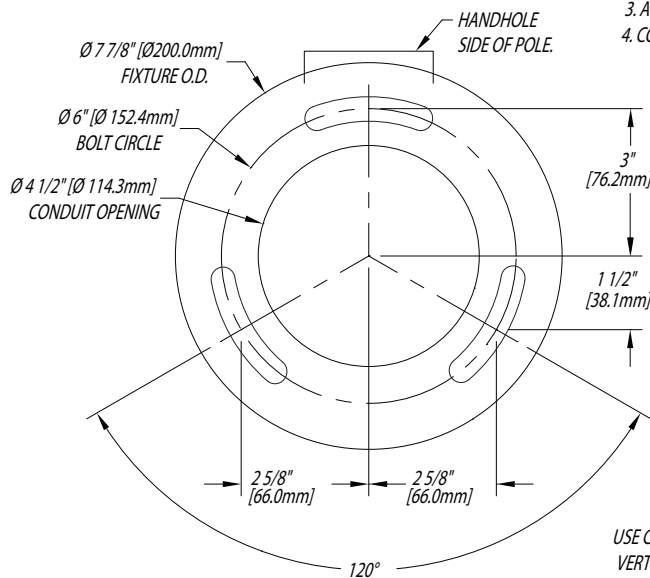
Mounting Information



Anchorage Information

NOTES:

1. BOLLARD ORIENTATION IS CRITICAL, ROD & HAND HOLE LOCATIONS ARE CRITICAL.
2. LOCATE SINGLE BOLT AT HAND HOLE LOCATION.
3. ADEQUATE DRAINAGE MUST BE PROVIDED IN CONCRETE FOUNDATION.
4. CONDUIT SHOULD BE STUBBED UP ABOVE THE CONCRETE FOOTING

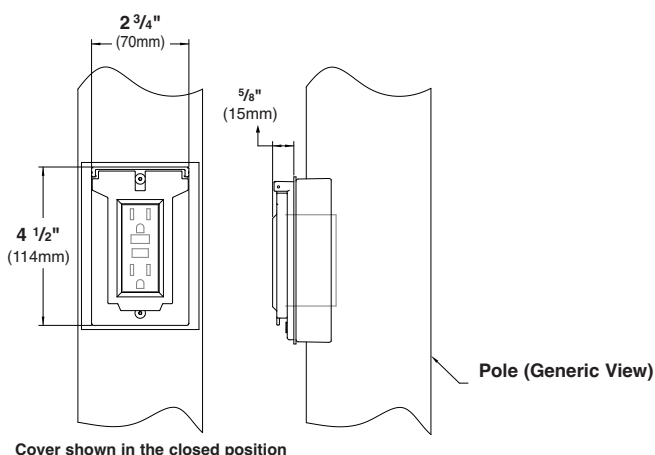


BOLT CIRCLE DETAIL (Not to Scale)

USE CAUTION WHEN SETTING ANCHOR BOLTS. BOLTS MUST BE VERTICALLY STRAIGHT AND CENTERED ON DIMENSIONS SHOWN.

Optional Accessories

GFCI Receptacle (REC) - 120V 15A GFCI duplex receptacle with weather-proof, self-closing cover; located 18" (457mm) from base of pole, inline with handhole. Receptacle is intended only for portable tools or other portable equipment to be connected to outlet only when attended by operating personnel. For use with 120V applications only. For other fixture voltages, please consult factory for wire segregation requirements.



GFCI Receptacle (REC2) - 120V 15A GFCI duplex receptacle with weather-proof, self-closing, padlockable in-use cover; located 18" (457mm) from base of pole, inline with handhole. Receptacle is intended only for portable tools or other portable equipment to be connected to outlet only when attended by operating personnel. For use with 120V applications only. For other fixture voltages, please consult factory for wire segregation requirements.

