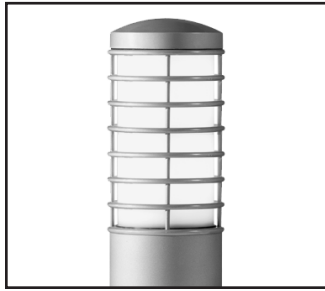


# Corral<sup>®</sup> Bollard LED

# selux



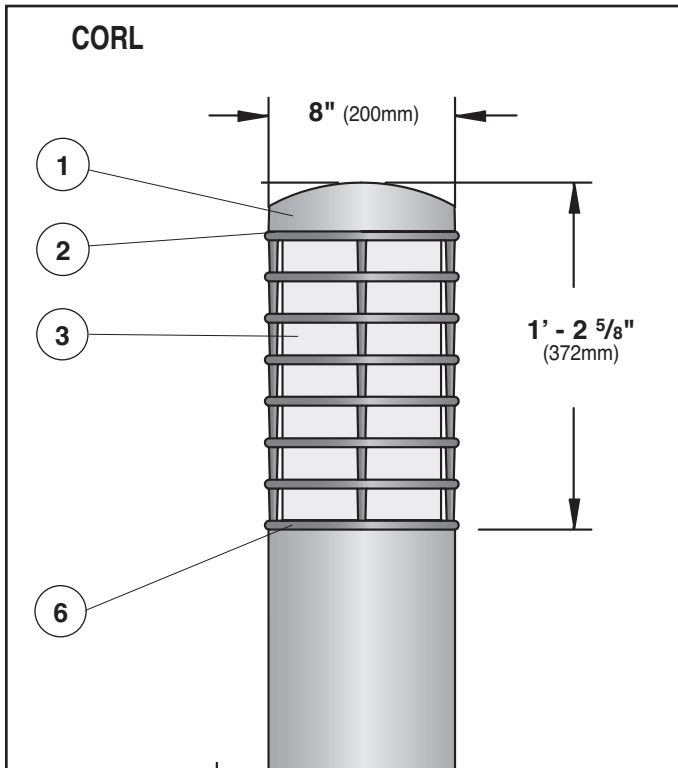
Project: \_\_\_\_\_

Type: \_\_\_\_\_ Qty: \_\_\_\_\_

CORL - - - - -  
 Series      Height      Light Engine      CCT      Finish      Voltage      Options

Series	Height	Light Engine	CCT	Finish	Voltage	Options
CORL Corral <sup>®</sup> Bollard LED	2.5 2½ feet	1B30	27 2700 K	WH White	UNV <sup>4</sup>	DM Dimming (0-10V)
	3 3 feet	2B30	30 3000 K	BK Black	120	HL50 <sup>2</sup> Hi-Lo Switching
	3.5 3½ feet	3B30	35 3500 K	BZ Bronze	208	REC <sup>3</sup> GFCI Receptacle w/ weather-proof cover
	4 4 feet	4B30	40 4000 K	SV Silver	240	REC2 <sup>3</sup> GFCI Receptacle w/ padlockable in-use cover
			Consult factory for other CCTs	SP Specify Premium Color	277 347 <sup>1</sup> 480 <sup>1</sup>	

<sup>1</sup> Requires step down transformer <sup>2</sup> 120V, 240V, and 277V only <sup>3</sup> Only available in 3.5 and 4 ft. heights. 120V only <sup>4</sup> 120V-277V



**1. Luminaire Cover** - Die-cast, aluminum cover, with smooth crisp form to reflect and complement the column design. Thick-walled, aluminum cover is painted white on the interior for maximum luminaire efficiency. Removes by loosening three vandal-resistant, stainless steel screws for easy access to chamber.

**2. Gasketing** - (not shown) Continuous gaskets provide weather-proofing, dust, and insect control at all fixture connections.

**3. Shielding** - White, translucent, UV stabilized acrylic, minimum wall thickness 0.118" (3mm) inside of die cast aluminum "Corral" rings.

**4. LED Light Engine** - (not shown) High efficiency LED light engine equipped with brand-name LEDs, available in 2700K, 3000K, 3500K, or 4000K CCT tolerance within a 3-step MacAdams ellipse.

**5. Drivers** - (not shown) Electronic universal 120-277V, PFC > 0.95

**6. Column Fitter** - Die-cast aluminum fitter, with built-in gasketing ridges, for smooth transition to column.

**7. Surge Protector** - (not shown) Designed to protect luminaire from electrical surge (10kA).

**8. Hi-Lo Switching** - (not shown) For details, please see page 4.

**Exterior Luminaire Finish** - Selux utilizes a high quality Polyester Powder Coating. All Selux luminaires and poles are finished in our Tiger Drylac certified facility and undergo a five stage intensive pretreatment process where product is thoroughly cleaned, phosphated and sealed. Selux powder coated products provide excellent salt and humidity resistance as well as ultraviolet resistance for color retention. All products are tested in accordance with test specifications for coatings from ASTM and PCI.

Standard exterior colors are White (WH), Black (BK), Bronze (BZ), and Silver (SV). Selux premium colors (SP) are available, please specify from your Selux color selection guide.

**5 Year Limited LED Luminaire Warranty** - Selux offers a 5 Year Limited Warranty to the original purchaser that the Corral Bollard LED luminaire shall be free from defects in material and workmanship for up to five (5) years from date of shipment. This limited warranty covers the LED driver and LED array when installed and operated according to Selux instructions. For Corral Bollard LED luminaire suitable for ambient temperature of 45°C (113°F). For details, see "Selux Terms and Condition of Sale."

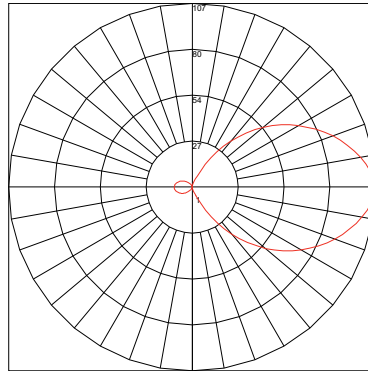
**Listings and Ratings:** Tested to INRTL Wet Location and IESNA LM-79-08 standards. LED tested to LM-80 standards. Luminaire and LED tested at 25°C (77°F) ambient temperature.

## Photometry

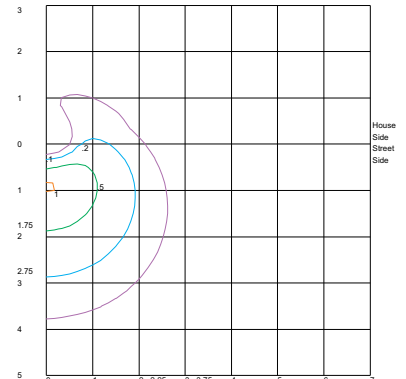
CORL / 4 FT / 1B30 / 3000K CCT

Catalog # CORL-X-1B30-30-UNV  
Report # LM-63-2002

- Ideal for applications requiring linear distributions.
- Maximum candela of 107 at 90° from vertical.
- IES classification - B0-U3-G1
- Mounting Height = 4' (1.22 M)
- 316 Delivered Lumens
- 44 Lumens per Watt



Maximum Candela = 107.294 Located At Horizontal Angle = 0, Vertical Angle = 90  
# 1 - Vertical Plane Through Horizontal Angles (0 - 180) (Through Max. Cd.)

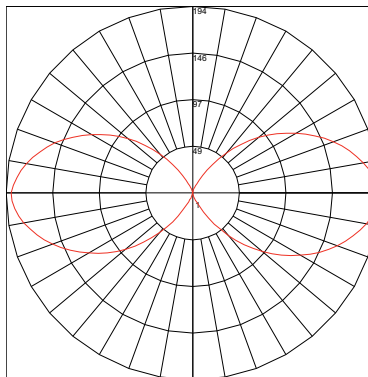


Distance In Units Of Mounting Height  
Values Based On 4 Foot Mounting Height

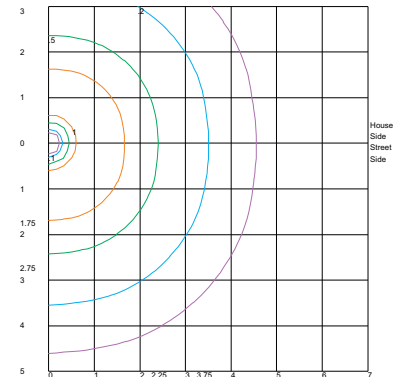
CORL / 4 FT / 4B30 / 3000K CCT

Catalog # CORL-4-4B30-30-UNV  
Report # LM-63-2002

- Ideal for applications requiring linear distributions.
- Maximum candela of 201 at 90° from vertical.
- IES classification - B1-U3-G1
- Mounting Height = 4' (1.22 M)
- 1369 Delivered Lumens
- 52 Lumens per Watt

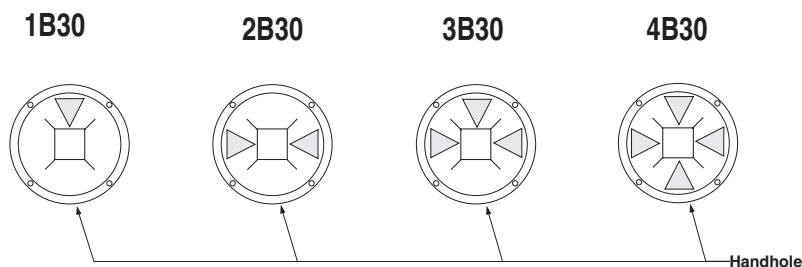


Maximum Candela = 194.052 Located At Horizontal Angle = 45, Vertical Angle = 90  
# 1 - Vertical Plane Through Horizontal Angles (45 - 225) (Through Max. Cd.)



Distance In Units Of Mounting Height  
Values Based On 4 Foot Mounting Height

## LED Light Engine Distribution Guide

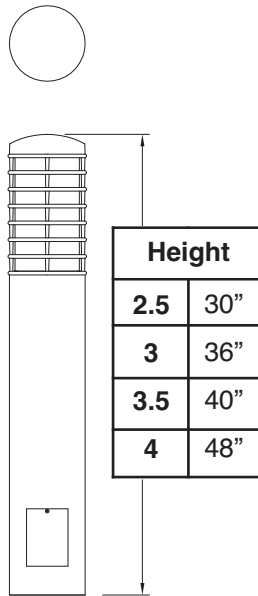


## Photometry

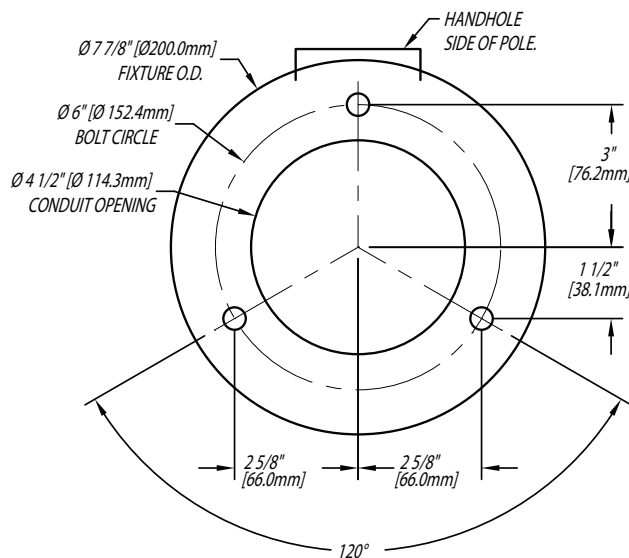
Corral Bollard LED Lumen Matrix							
Model#	Watts	Delivered Lumens	CORL Toolbox Scale Factor	Lumens/Watt	Light Engine Multiplier	CCT Multiplier	
Single Light Engine (1B30)							
CORL-X-1B30-27-XX-UNV	7.16	316	0.884	44.1	0.246	2700K (Multiplier = 0.884)	
Double Light Engine (2B30)							
CORL-X-2B30-27-XX-UNV	12.73	592	0.884	46.5	0.460		
Triple Light Engine (3B30)							
CORL-X-3B30-27-XX-UNV	24.36	1131	0.884	46.4	0.880		
Quad Light Engine (4B30)							
CORL-X-4B30-27-XX-UNV	26.60	1286	0.884	48.3	0.884		
Single Light Engine (1B30)							
CORL-X-1B30-30-XX-UNV	7.16	336	0.942	47.0	0.246	3000K (Multiplier = 0.942)	
Double Light Engine (2B30)							
CORL-X-2B30-30-XX-UNV	12.73	630	0.942	49.5	0.460		
Triple Light Engine (3B30)							
CORL-X-3B30-30-XX-UNV	24.36	1205	0.942	49.4	0.880		
Quad Light Engine (4B30)							
CORL-X-4B30-30-XX-UNV	26.60	1369	0.942	51.5	0.942		
Single Light Engine (1B30)							
CORL-X-1B30-35-XX-UNV	7.16	361	1.010	50.4	0.246	3500K (Multiplier = 1.010)	
Double Light Engine (2B30)							
CORL-X-2B30-35-XX-UNV	12.73	676	1.010	53.1	0.460		
Triple Light Engine (3B30)							
CORL-X-3B30-35-XX-UNV	24.36	1292	1.010	53.0	0.880		
Quad Light Engine (4B30)							
CORL-X-4B30-35-XX-UNV	26.59	1469	1.010	55.2	1.010		
Single Light Engine (1B30)							
CORL-X-1B30-40-XX-UNV	7.16	357	0.246	49.9	0.246	4000K (Multiplier = 1.000)	
Double Light Engine (2B30)							
CORL-X-2B30-40-XX-UNV	12.73	669	0.460	52.6	0.460		
Triple Light Engine (3B30)							
CORL-X-3B30-40-XX-UNV	24.36	1279	0.880	52.5	0.880		
Quad Light Engine (4B30)							
CORL-X-4B30-40-XX-UNV	26.59	1454	1.000	54.7	1.000		

Corral LED Bollard Photometry Multiplier Table		
<b>CCT Multiplier</b>		
4000K	1.000	
3500K	1.010	
3000K	0.942	
2700K	0.884	
<b>Light Engine Multiplier</b>		
Light Engine	Lumens	Wattages
1B30	0.245	0.269
2B30	0.460	0.479
3B30	0.879	0.916
4B30	1.000	1.000

## Profiles

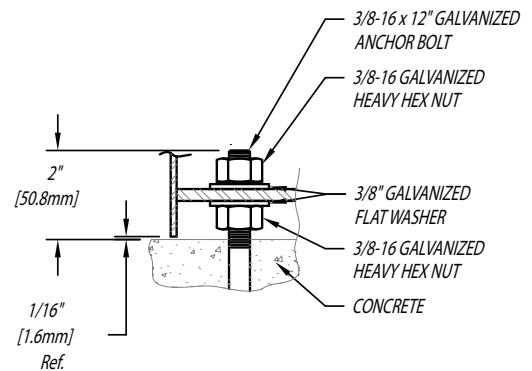


## Anchorage Information



### NOTES:

1. BOLLARD ORIENTATION IS CRITICAL, ROD & HANDHOLE LOCATIONS ARE CRITICAL.
2. LOCATE SINGLE BOLT AT HANDHOLE LOCATION.
3. ADEQUATE DRAINAGE MUST BE PROVIDED IN CONCRETE FOUNDATION.
4. CONDUIT SHOULD BE STUBBED UP ABOVE THE CONCRETE FOOTING

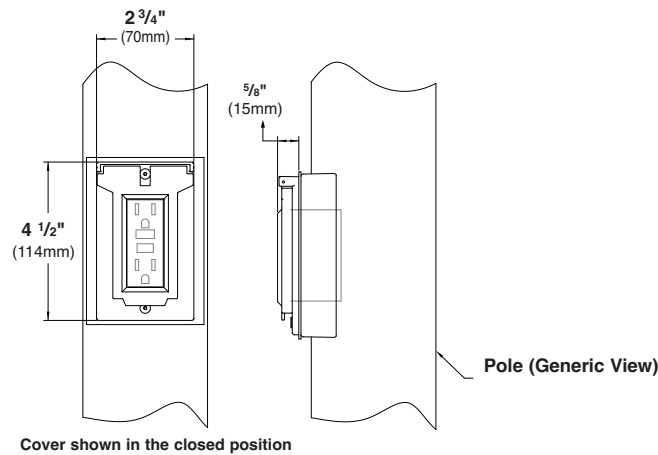


### BOLT CIRCLE DETAIL (Not to Scale)

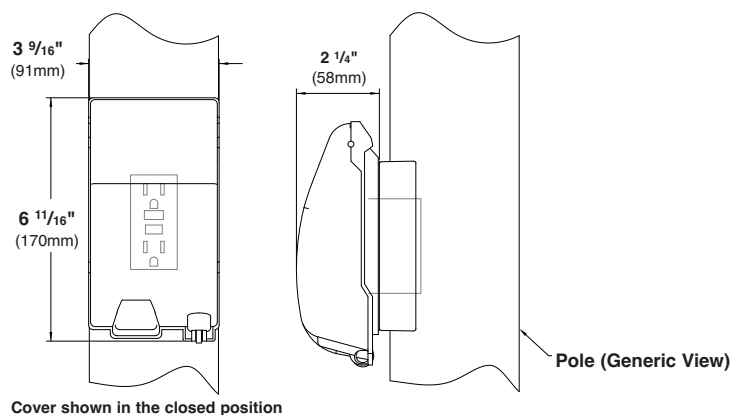
USE CAUTION WHEN SETTING ANCHOR BOLTS. BOLTS MUST BE VERTICALLY STRAIGHT AND CENTERED ON DIMENSIONS SHOWN.

## Optional Accessories

**GFCI Receptacle (REC)** - 120V 15A GFCI duplex receptacle with weather-proof, self-closing cover; located 36" (915mm) from base of pole, inline with handhole. Receptacle is intended only for portable tools or other portable equipment to be connected to outlet only when attended by operating personnel. For use with 120V applications only. For other fixture voltages, please consult factory for wire segregation requirements.



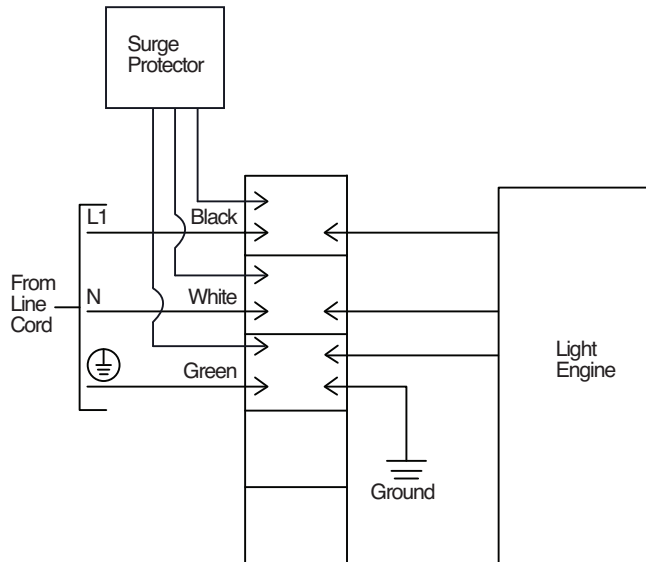
**GFCI Receptacle (REC2)** - 120V 15A GFCI duplex receptacle with weather-proof, self-closing, padlockable in-use cover; located 36" (915mm) from base of pole, inline with handhole. Receptacle is intended only for portable tools or other portable equipment to be connected to outlet only when attended by operating personnel. For use with 120V applications only. For other fixture voltages, please consult factory for wire segregation requirements.



## Wiring Diagrams

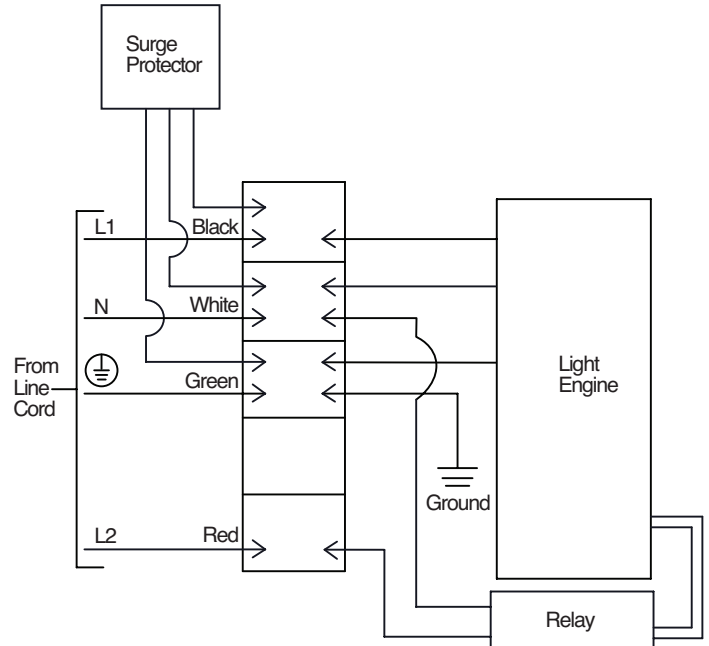
### Standard Single Wiring

For 120-277V



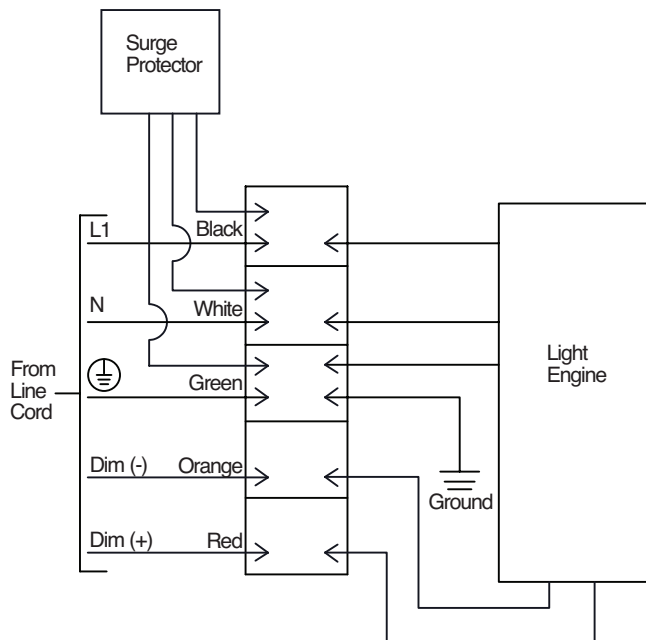
### Hi-Lo Switching Option (HL) Wiring

For 120-277V. When red is energized, light output will be at “Lo” level. For other combinations, consult factory. Standard HL level: HL50 = low output, 50%



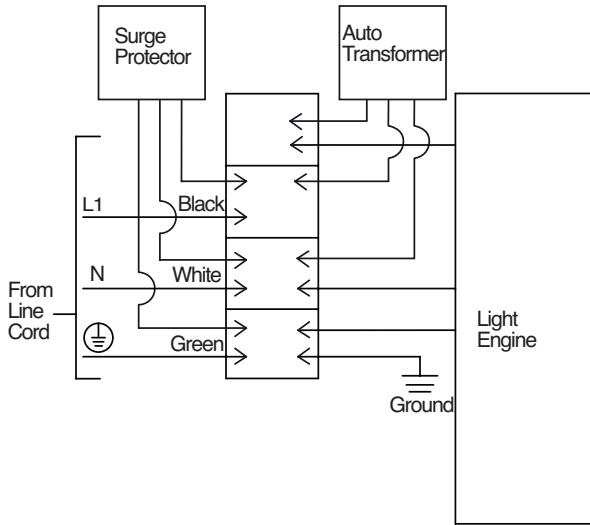
### 0-10V Dimming Option (DM) Wiring

For 120-277V



## Wiring Diagrams

### 347/480V (Standard)



### 347/480V with 0-10V Dimming Option

