

Ritorno LED

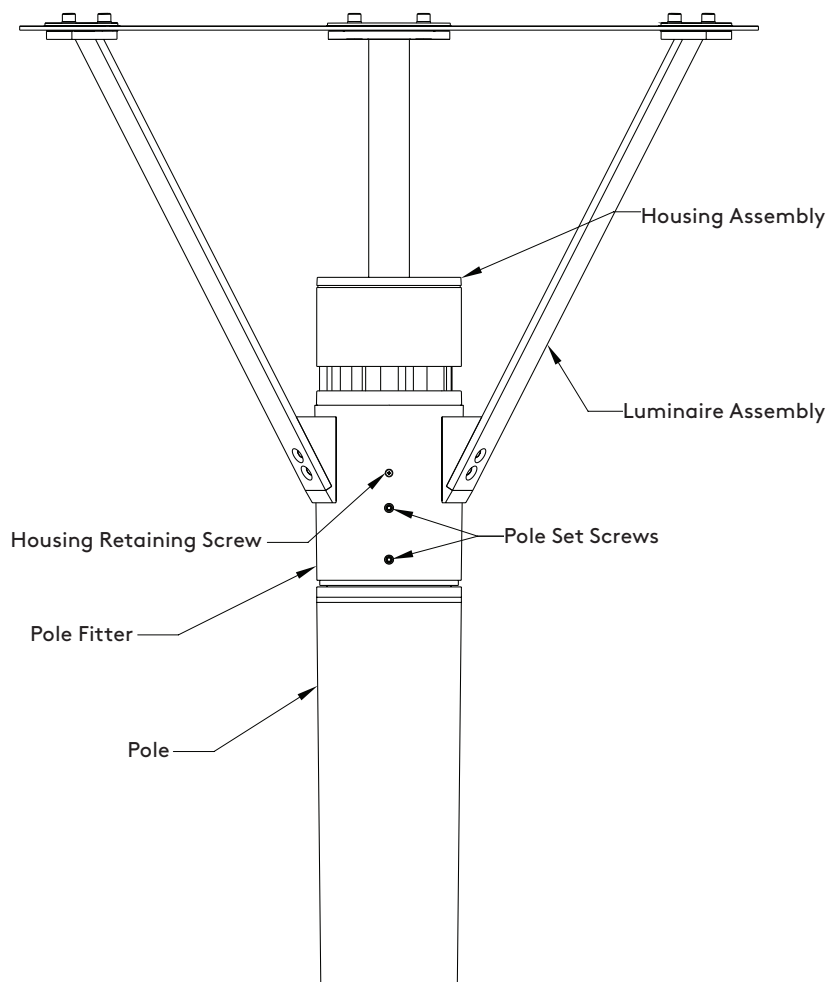
Installation Instructions for RRAL, RRSL, and RSAL

selux

Tools Required (not included)

4mm Allen Wrench
Phillips Head Screwdriver
Watertight Wire Connectors
Wire Cutters/Strippers (Optional)

1. Run feed cord from Luminaire Assembly into top of Pole.
2. Place Luminaire Assembly onto Pole.
3. Level and secure by tightening (2) Pole Set Screws with Allen Wrench.
4. Loosen screws and remove pole hand hole cover (not shown).
5. Connect feed cord from Luminaire to feed cord from Ground using Watertight connectors (not shown).
6. Replace pole hand hole cover.
7. Test Luminaire.



Ritorno LED

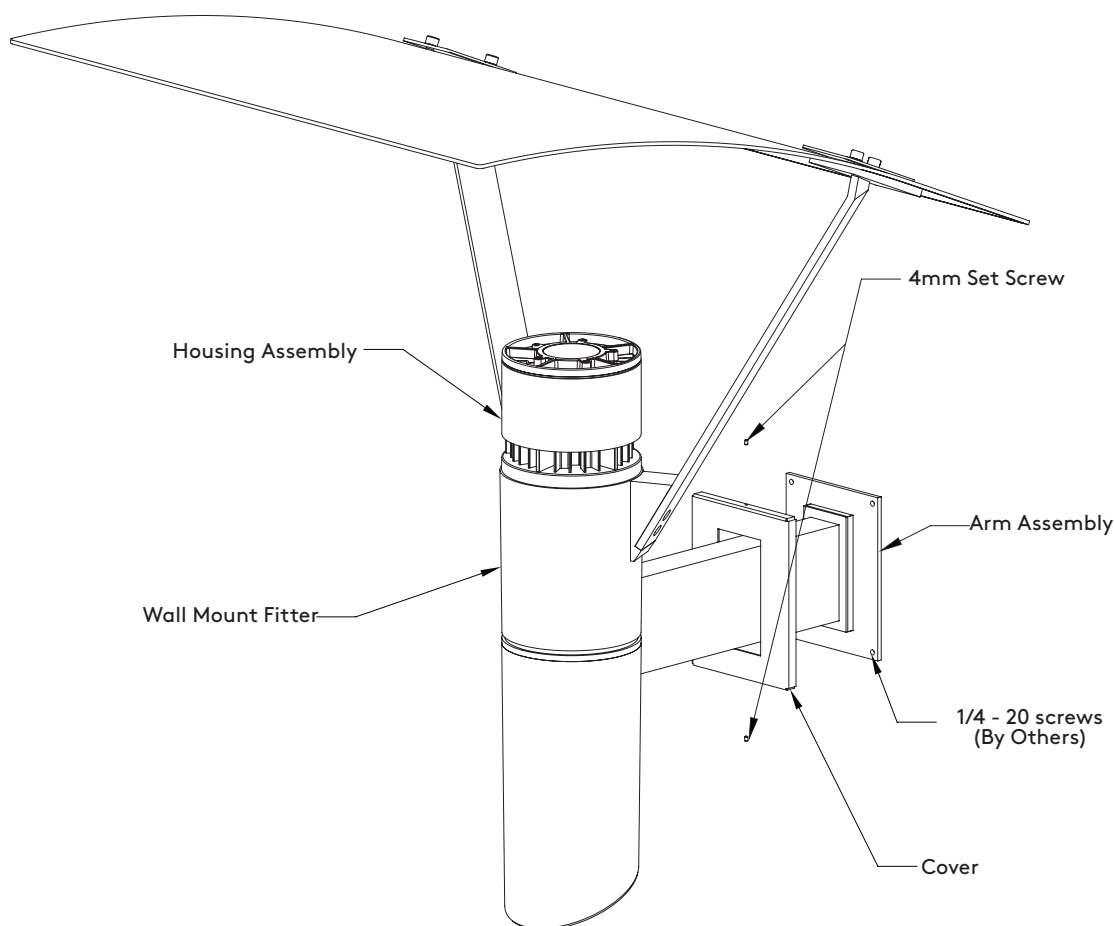
Installation Instructions for RRAL Wall Mount

selux

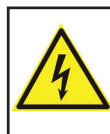
Tools Required (not included)

4mm Allen Wrench
7/16" Socket/Wrench
Watertight Wire Connectors
Wire Cutters/Strippers (Optional)

1. Loosen (2) 4mm Set Screws in Cover. Slide Cover back to expose mounting holes for arms.
2. Make electrical connection from Luminaire to line voltage..
3. Fasten fixture with (4) 1/4" screws (by others).
4. Slide Cover back into place and tighten (2) 4mm Set Screws.
5. Restore power and test function of Luminaire.



CAUTION
LED Radiation.
Do NOT stare into Beam.
Can cause eye damage.
Do not operate while LEDs
are exposed.



DANGER
Hazardous voltage.
Contact will cause
electric shock or burn.
Only work on de-energized
equipment. Disconnect
power before wiring fixture.

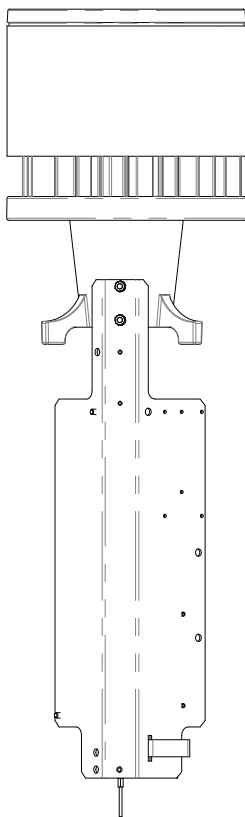


NOTICE
Do not touch LED
May damage device
Observe precautions for
handling electrostatic
sensitive devices.

Tools Required (not included)

4mm Allen Wrench
Phillips Head Screwdriver
Watertight Wire Connectors
Wire Cutters/Strippers (Optional)

LED Retrofit Kit



1. Ensure power is off to Luminaire.
2. Loosen screws and remove pole hand hole cover (not shown).
3. Inside hand hole, disconnect Luminaire feed cord from line voltage.
4. On top of pole, loosen housing retaining screw with Phillips Screwdriver.
5. Rotate Housing Assembly counterclockwise.
6. Lift old assembly and feed cord up and out, being sure to not strike shade.
7. Run feed cord from new assembly down into pole fitter.
8. Place new housing assembly into pole fitter being sure to align legs with notches in fitter.
9. Rotate Housing Assembly clockwise until it will not rotate further.
10. Tighten Housing retaining screw with Phillips Screwdriver.
11. On the ground, inside hand hole make electrical connection between new Luminaire feed cord and line voltage using watertight connectors.
12. Replace hand hole cover.
13. Restore power and test function of Luminaire.

Ritorno Wall Mount Retrofit Kit

1. Ensure power is off to Luminaire.
2. Loosen fixture retaining screw with Phillips Screwdriver.
3. Rotate Housing Assembly counterclockwise.
4. Lift old assembly and feed cord up and out, being sure to not strike shade.
5. Disconnect feed cord from existing Luminaire.
6. Make electrical connection from new Housing Assembly to previously disconnected feed cord using watertight wire connectors.
7. Place new Housing Assembly into pole fitter being sure to align legs with notches in fitter.
8. Lower then rotate housing clockwise until it will not rotate any further.
9. Tighten retaining screw with Phillips Screwdriver.
10. Restore power and test function of Luminaire.

