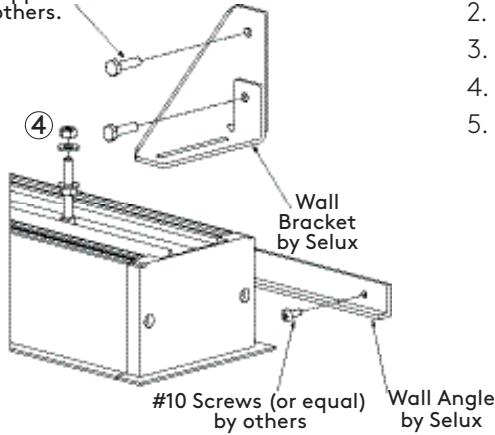
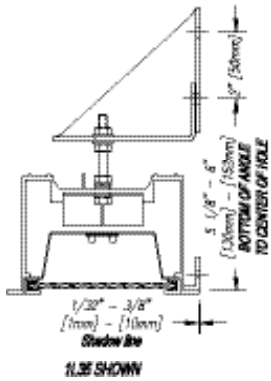


Tools Required for all mountings: ① 5mm Allen Key ② 4mm Allen Key ③ Phillips Head Screwdriver
④ 7/16 Wrench

Perimeter Mount (PM)

(2x) Clearance holes for 1/4" mounting hardware, mounting hardware supplied and installed to code(s) in the field by others.

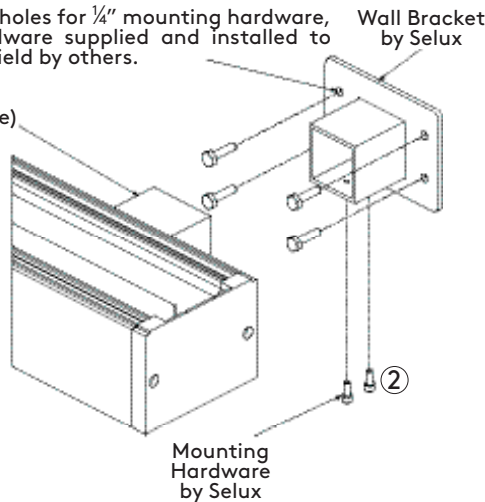
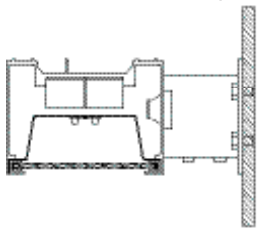


1. Secure wall bracket to the wall.
2. Secure wall angle to the wall.
3. Lift fixture up and level.
4. Screw nut over bolt to hold in place.
5. Make electrical connection and test the function of the luminaire.

Wall Mount (W)

(4x) Clearance holes for 1/4" mounting hardware, mounting hardware supplied and installed to code(s) in the field by others.

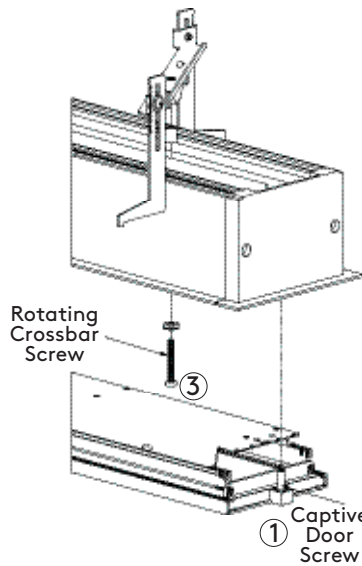
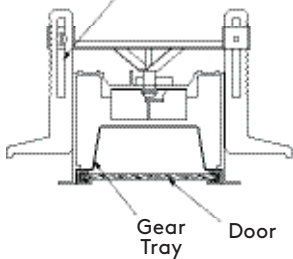
Hollow Tube (welded to fixture) by Selux



1. Secure wall bracket to the wall.
2. Make electrical connection.
3. Slide fixture onto wall bracket.
4. Secure fixture from bottom with provided fasteners.
5. Test the function of the luminaire.

F

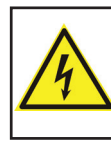
Adjustable Leg Height



1. Adjust leg height for mounting material thickness.
2. Make electrical connections.
3. Remove door assembly by loosening door screws.
4. Insert fixture into ceiling.
5. Tighten rotating crossbar screw, which will draw fixture into ceiling.
6. Secure door assembly back to fixture by tightening door screws.
7. Test the function of the luminaire.



CAUTION
LED Radiation.
Do NOT stare into Beam.
Can cause eye damage.
Do not operate while LEDs are exposed.

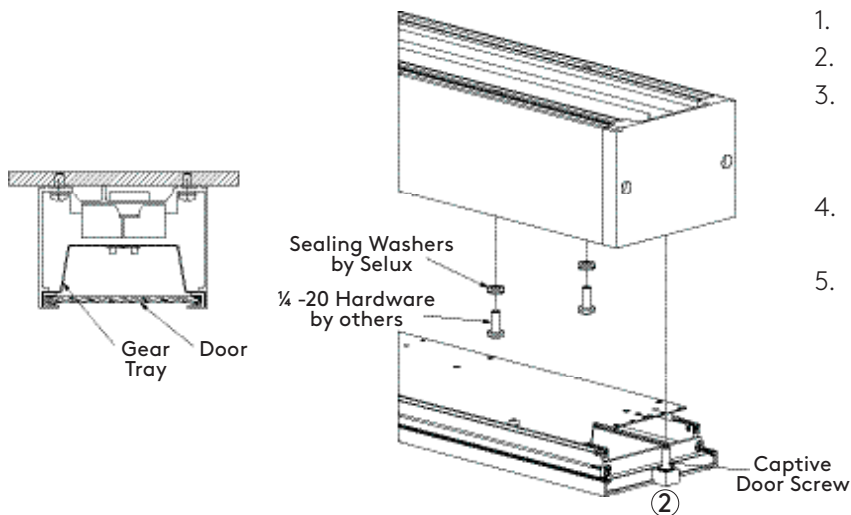


DANGER
Hazardous voltage.
Contact will cause electric shock or burn.
Only work on de-energized equipment. Disconnect power before wiring fixture.



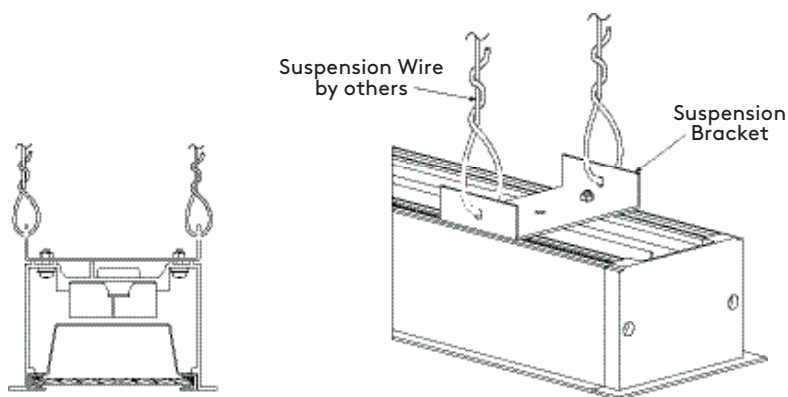
NOTICE
Do not touch LED
May damage device
Observe precautions for handling electrostatic sensitive devices.

Tools Required for all mountings: ① 5mm Allen Key ② 4mm Allen Key ③ Phillips Head Screwdriver
Surface Mount (F) ④ 7/16 Wrench



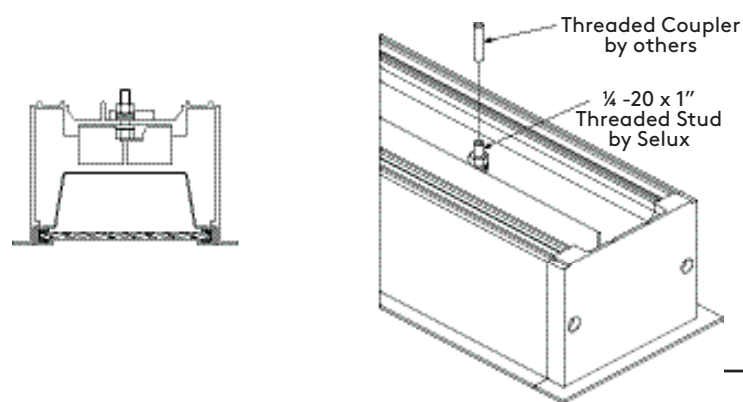
1. Remove door assembly by loosening door screws.
2. Make electrical connection.
3. Insert supplied sealing washer with 1/4 - 20 Hardware (hardware by others) and screw through provided holes to secure fixture in place.
4. Secure door assembly back to fixture by tightening door screws.
5. Test the function of the luminaire.

Suspension Brackets (SH)



1. Secure fixture via holes in suspension brackets.
2. Make electrical connection and test the function of the luminaire.

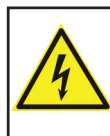
Threaded Stud (TS)



1. Connect 1/4 -20 x 1" threaded stud to 1/4 -20 threaded coupler (provided by others).
2. Screw to secure fixture in place.
3. Make electrical connection and test the function of the luminaire.



CAUTION
LED Radiation.
Do NOT stare into Beam.
Can cause eye damage.
Do not operate while LEDs are exposed.



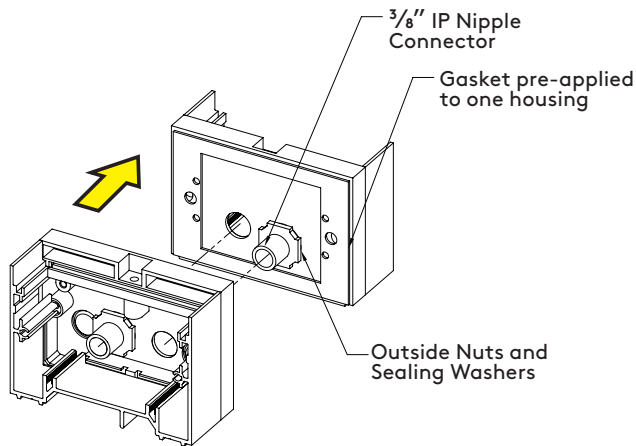
DANGER
Hazardous voltage.
Contact will cause electric shock or burn.
Only work on de-energized equipment. Disconnect power before wiring fixture.



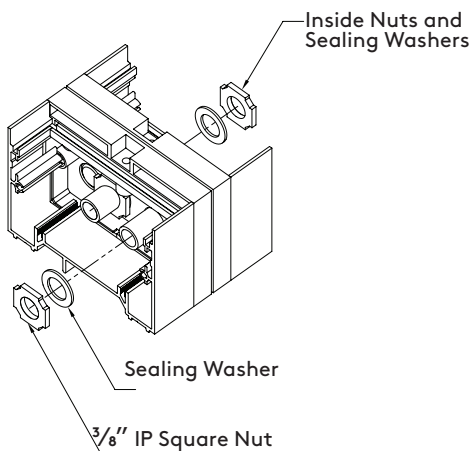
NOTICE
Do not touch LED
May damage device
Observe precautions for handling electrostatic sensitive devices.

Tools Required for all mountings: ① 5mm Allen Key ② 4mm Allen Key ③ Phillips Head Screwdriver
④ 7/16 Wrench

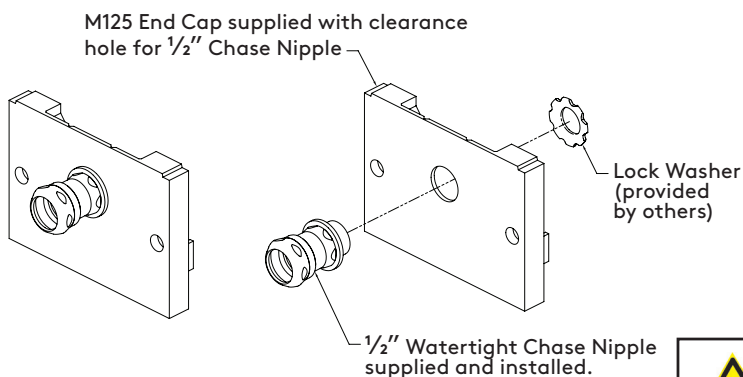
Nipple Connector (NC)



1. Remove door assembly by loosening door screws.
2. Remove nuts and sealing washers that are outside of both housings and slide nipple connectors through clearance holes bringing both the housings together.
3. Apply sealing washers and nuts from inside of housing onto threaded nipple connectors and tighten securely to ensure a watertight seal is maintained.
4. Feed wires through one of the nipples and make electrical connection.
5. Secure door assembly back to fixture by tightening door screws.
6. Test the function of the luminaire.



End Feed (EFC, EFR, EFB)



1. Remove door assembly by loosening door screws.
2. Tighten 1/2" watertight chase nipple.
3. Feed wires/cord through the nipple and make electrical connection.
4. Secure door assembly back to fixture by tightening door screws.
5. Test the function of the luminaire.



CAUTION
LED Radiation.
Do NOT stare into Beam.
Can cause eye damage.
Do not operate while LEDs are exposed.



DANGER
Hazardous voltage.
Contact will cause electric shock or burn.
Only work on de-energized equipment. Disconnect power before wiring fixture.

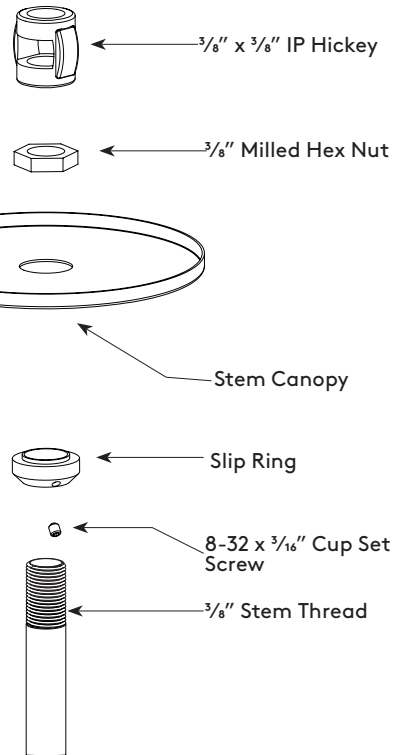
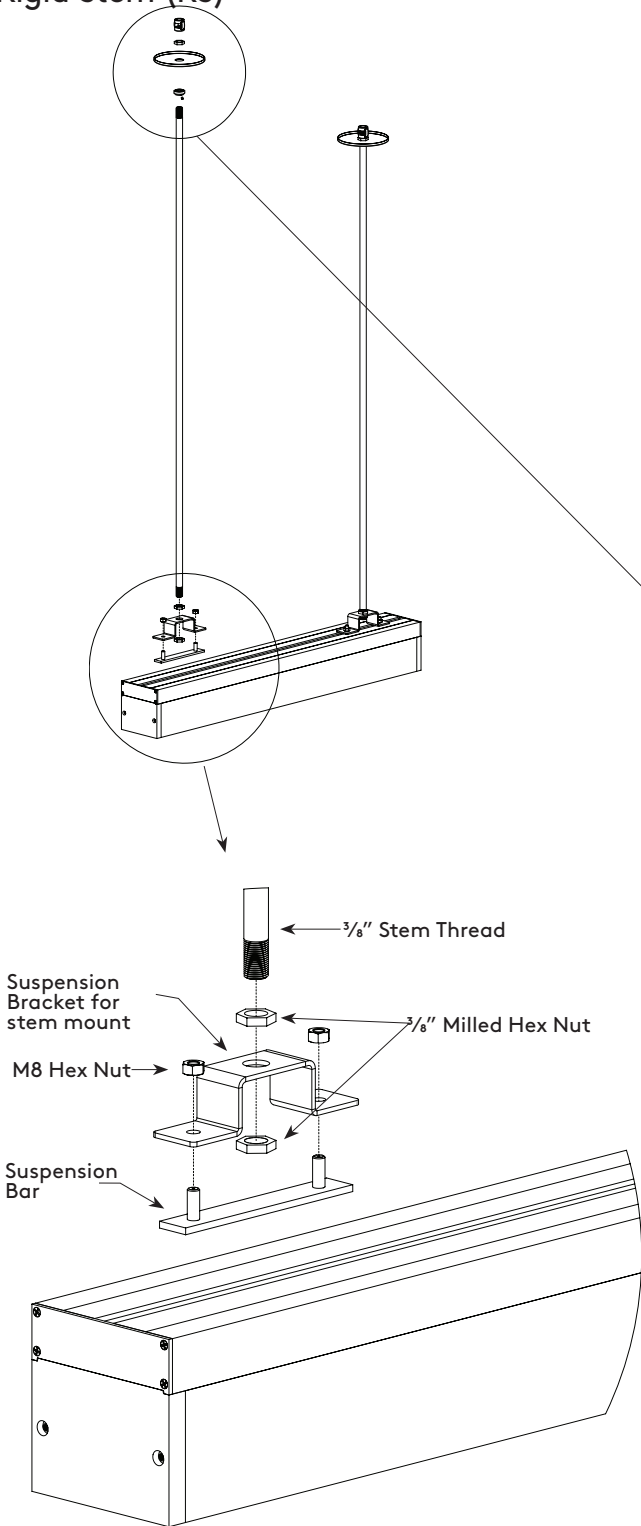


NOTICE
Do not touch LED
May damage device
Observe precautions for handling electrostatic sensitive devices.

Tools Required for all mountings: ① 5mm Allen Key ② 4mm Allen Key ③ Phillips Head Screwdriver
④ $\frac{7}{16}$ Wrench

Rigid Stem (RS)

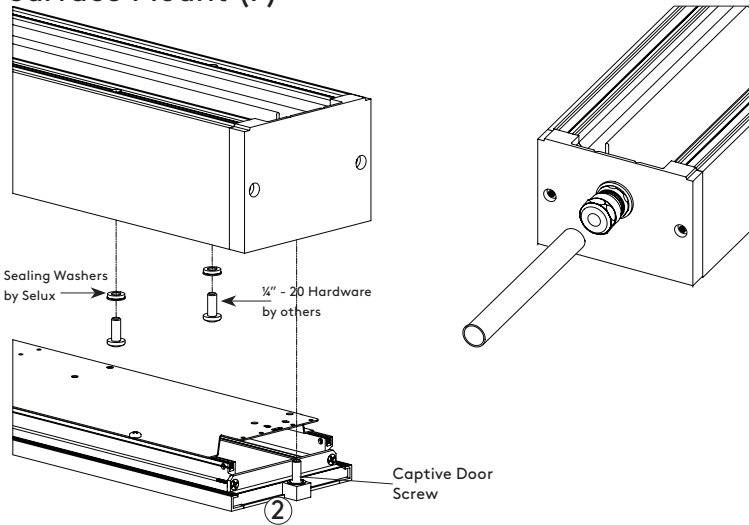
1. Secure wall bracket to the wall.
2. Screw one milled hex nut onto each stem.
3. Insert threaded stem into mounting bracket on fixture.
4. Screw second milled hex nut onto each stem.
5. Thread cord through stem.
6. Place slip ring on stem and tighten set screw.
7. Place canopy on slip ring.
8. Screw on hex nut and suspension hickey.
9. Make electrical connection.
10. Tighten canopy and secure set screw.
11. Secure to rigid connection.
12. Use milled hex nuts to level the fixture.
13. Test function of the luminaire.



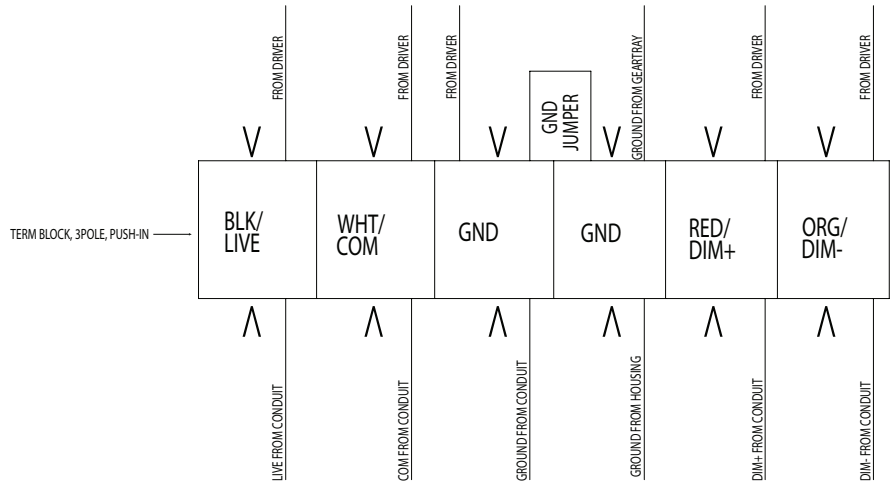
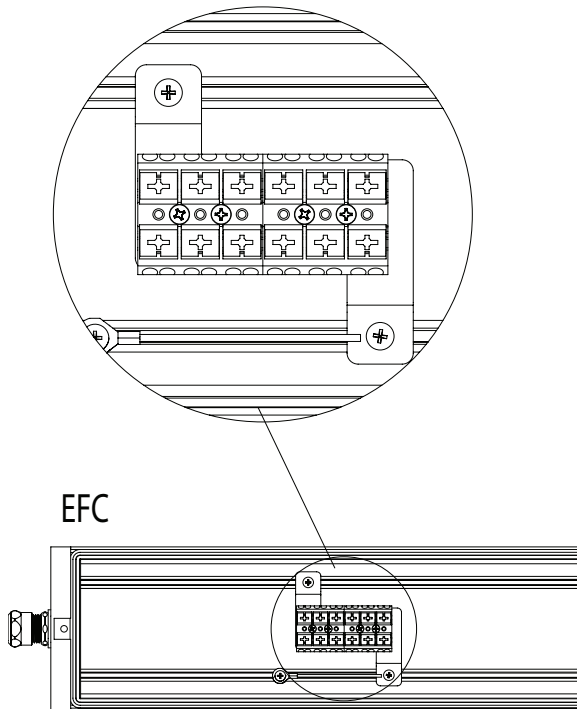
	<p>CAUTION LED Radiation. Do NOT stare into Beam. Can cause eye damage. Do not operate while LEDs are exposed.</p>	<p>DANGER Hazardous voltage. Contact will cause electric shock or burn. Only work on de-energized equipment. Disconnect power before wiring fixture.</p>	<p>NOTICE Do not touch LED May damage device Observe precautions for handling electrostatic sensitive devices.</p>
--	---	---	---

Tools Required for all mountings: ① 5mm Allen Key ② 4mm Allen Key ③ Phillips Head Screwdriver
④ 7/16 Wrench

Surface Mount (F)



1. Remove door assembly by loosening captive door screws.
2. Attach conduit to connector by sliding conduit inside of loosened rain tight compression connector.
3. Slide conduit into connector until it hits the stop in the middle portion of the connector
4. Tighten the connector around conduit as tight as possible to ensure a proper watertight connection.
5. Wires from the conduit to be attached to terminal blocks as show by pressing down on terminal block to input wires.
6. Reattach door to housing and test the function of the luminaire.



	<p>CAUTION LED Radiation. Do NOT stare into Beam. Can cause eye damage. Do not operate while LEDs are exposed.</p>	<p>DANGER Hazardous voltage. Contact will cause electric shock or burn. Only work on de-energized equipment. Disconnect power before wiring fixture.</p>	<p>NOTICE Do not touch LED May damage device Observe precautions for handling electrostatic sensitive devices.</p>
--	---	---	---